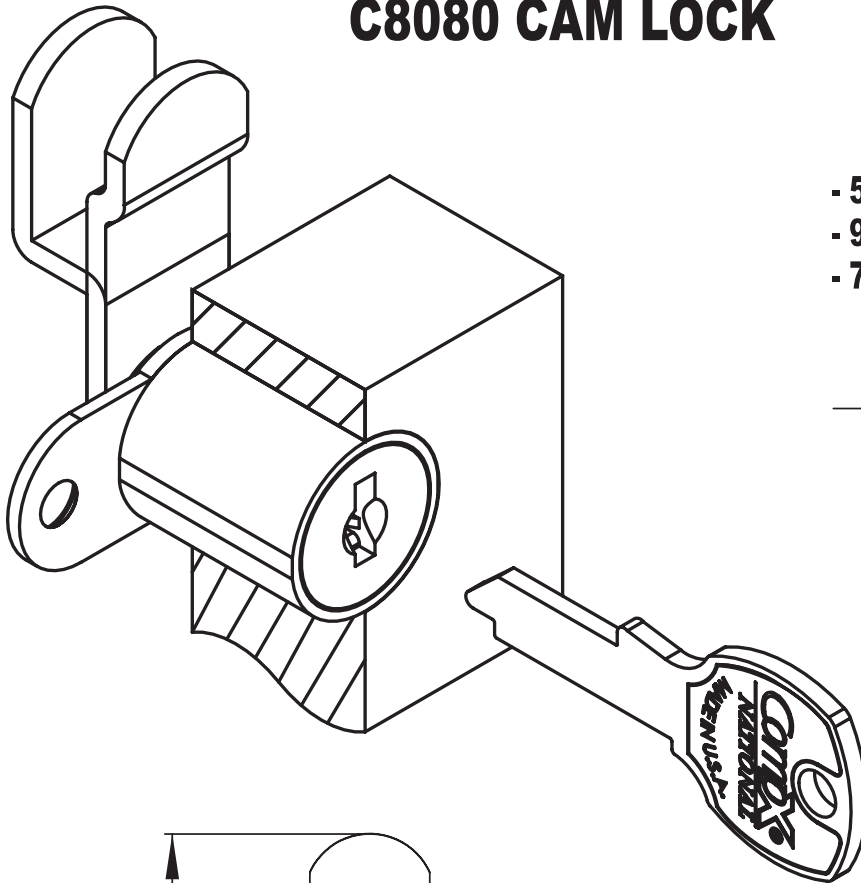


C8080 CAM LOCK



- 5 disc tumbler
- 90 or 180 cam turn
- 7/8" cylinder length

